

ELECTRICAL SPECIFICATIONS

T/R & Ø	Winding	Turns Ratio ±2%	DCR Ω ±15%
DCR	(3-2) ref.	1.00	.037
	(1-4)	1.36 Ø	.30
	(6-7)	5.00 Ø	1.1

L (3-2) - 11.3 - 12.9 µH at 50 mVRMS, 30 kHz.

Short Circuit L (3-2) - .340 µH TYP at 10 mVRMS, 300 kHz with 1,4,6,& 7 shorted.

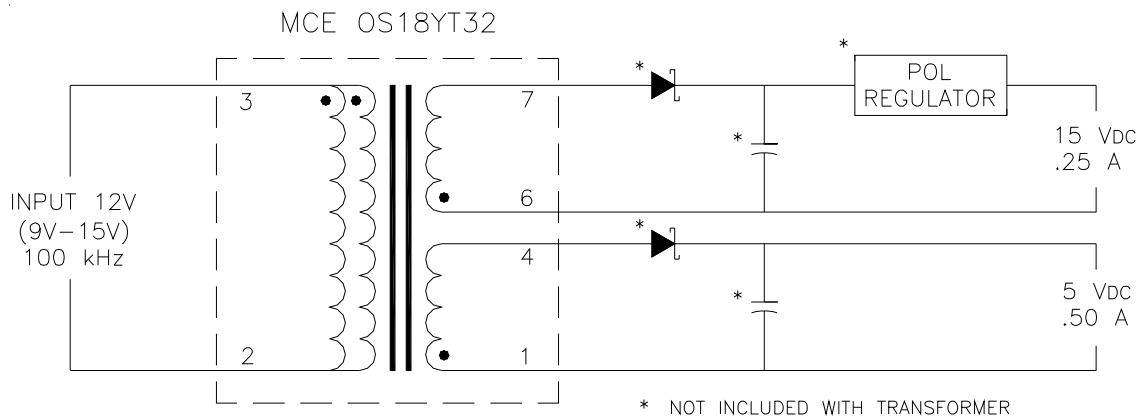
C - 50 pF TYP at 5 VRMS, 100 kHz from 2&3-to-1,4,6,& 7.

Duty Ratio - .50 MAX (Discontinuous Mode).

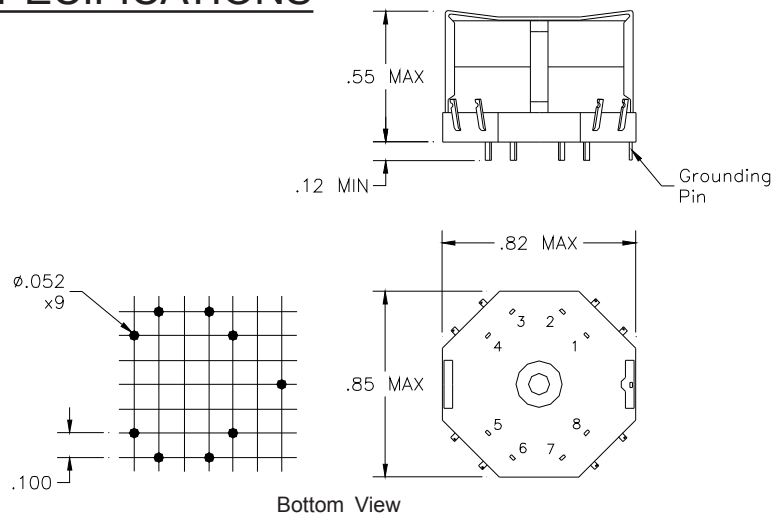
f - 100 kHz.

Dielectric Strength - 500 VDC, 5 µA MAX leakage from 3-to-1&6.

SCHEMATIC DIAGRAM



MECHANICAL SPECIFICATIONS



	INIT.	DATE	CAGE 09349	MAGNETIC CIRCUIT ELEMENTS INC. www.MCEmagnetics.com, ph. 831-757-8752, fax 831-757-5478				
PROD.	FA	10-26-11		FLYBACK TRANSFORMER 12V TO 5V & 15V, 6.25 W				
ENG.	JC	10-26-11		TEST CONDITION 20° ± 5° C	DECIMALS (IN.) .XX = ± .03 .XXX = ± .010	VOLTS ±5%	FREQUENCY ±5%	SIZE A
Q.A.	BT	10-26-11						
REV.	A	10-26-11						