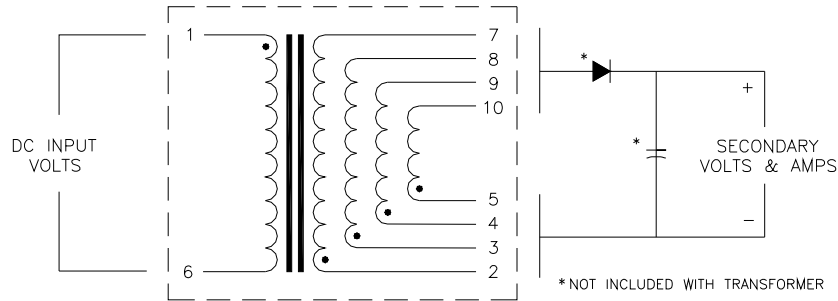


# ELECTRICAL SPECIFICATIONS

PART NUMBER	FREQUENCY kHz	DC INPUT VOLTS	SECONDARY VOLTS	SECONDARY AMPS	PRIMARY L ±10% MICRO - H	PRIMARY LEAKAGE (TYP) MICRO - H	PRIMARY DCR ±10% MILLI - OHMS	SECONDARY DCR ±10% MILLI - OHMS
OE13GT3	100	10 - 15	3.3	1.5	17	.200	45	7.9
OE13GT5	100	10 - 15	5.0	1.0	17	.200	45	11

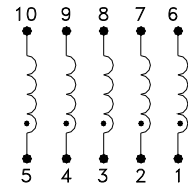
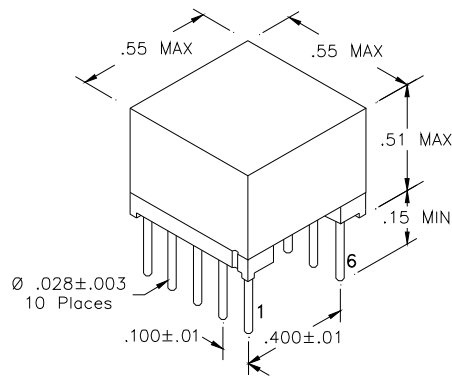
Data is for all secondaries connected in parallel. All voltages and currents are DC.

# SCHEMATIC DIAGRAM



# MECHANICAL SPECIFICATION

Weight: 6.3 grams



PC Board Footprint (Top View)

# NOTES

- OEGT Flyback Transformers are for discontinuous mode with a maximum duty ratio of 0.50.
- Maximum operating temperature is 130°C.
- All mechanical dimensions are in inches.
- Pins are hot solder dipped.

	INIT.	DATE	CAGE 09349	<b>MAGNETIC CIRCUIT ELEMENTS INC.</b> www.MCEmagnetics.com, ph. 831-757-8752, fax 831-757-5478				
PROD.	<i>FAP</i>	10-26-11						
ENG.	<i>JC</i>	10-26-11	<b>LOW LEAKAGE FLYBACK TRANSFORMERS</b>					
Q.A.	<i>BZ</i>	10-26-11	TEST CONDITION 20° ± 5° C	DECIMALS (IN.) .XX = ± .03 .XXX = ± .010	VOLTS	FREQUENCY ±5%	SIZE A	DWG. NO. <b>OE13GT</b>
REV.	B	10-26-11						