

ELECTRICAL SPECIFICATIONS

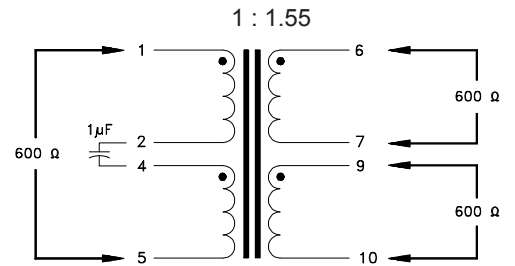
T/R & Ø	- WINDING	URNS RATIO ±2%	DCR Ω ±15%
DCR	(9-10) ref.	1.000	68
	(6-7)	1.000	Ø
	(4-5)	.645	Ø
	(1-2)	.645	Ø

L_{DC} (1-5) - 500 mH MIN with 30 mADC at 0.8 VRMS, 250 Hz with 2&4 jumpered.

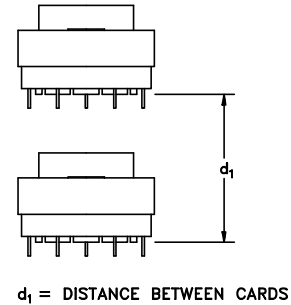
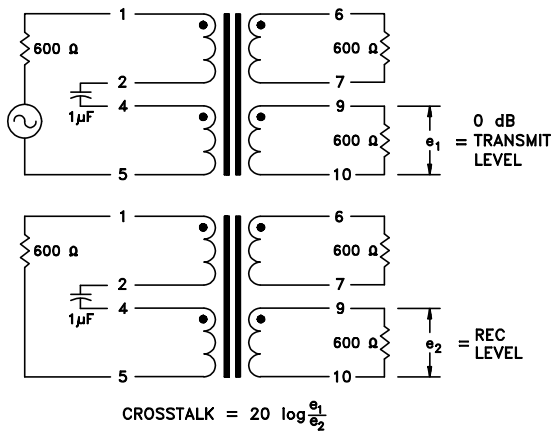
DWV - 1800 VDC from 1&5-to-6&10.
100% testing required I.A.W. UL60950-01.
18 µA MAX leakage current.

Frequency Response - ±1 dB from 300 Hz to 4 KHz

Qualification Crosstalk Test - ≥72 dB at 250 Hz with d₁ = 1 inch.



QUALIFICATION CROSSTALK TEST SETUP

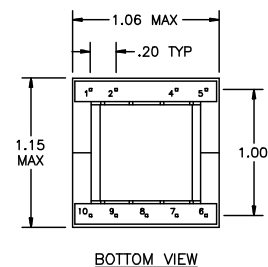
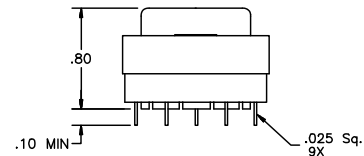


MECHANICAL SPECIFICATIONS

Materials - All materials used in the construction of this transformer shall be I.A.W. UL60950-01.

Class - 130°C

Ambient Temp. - -40°C to +85°C



	INIT.	DATE	CAGE 09349	MAGNETIC CIRCUIT ELEMENTS INC. www.MCEmagnetics.com, ph. 831-757-8752, fax 831-757-5478				
PROD.	JAP	11-9-09						
ENG.	JC	11-9-09		600Ω TELECOMMUNICATION COUPLING TRANSFORMER				
Q.A.	BT	11-9-09	TEST CONDITION 20° ±5C					DECIMALS (IN.) .XX = ± .03 .XXX = ± .010
REV.	E	11-9-09						