

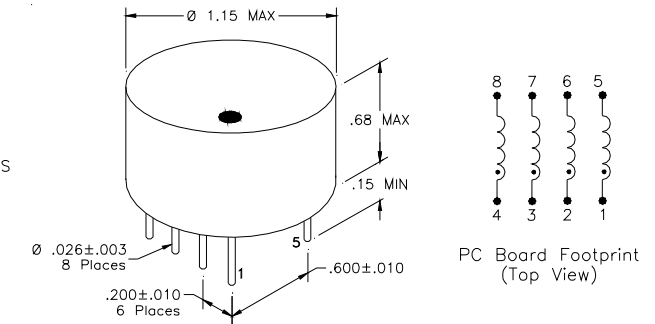
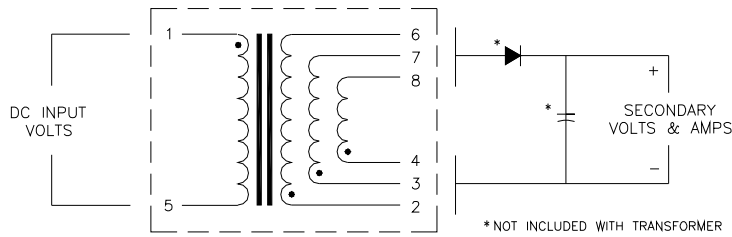
ELECTRICAL SPECIFICATIONS

PART NUMBER	FREQUENCY kHz	DC INPUT VOLTS	SECONDARY VOLTS	SECONDARY AMPS	PRIMARY L ±10% MICRO - H	PRIMARY LEAKAGE (TYP) MICRO - H	PRIMARY DCR ±10% MILLI - OHMS	SECONDARY DCR ±10% MILLI - OHMS
EE17GT7	100	43 - 57	7.0	2.5	96	1.6	260	8.7
EE17GT12	100	43 - 57	12	1.5	96	1.0	260	20
EE17GT24	100	43 - 57	24	.75	96	1.0	260	70
EE20GT12	100	120 - 370	12	4.0	256	6.0	310	7.0
EE20GT24	100	120 - 370	24	2.0	256	5.0	310	16
EE20GT48	100	120 - 370	48	1.0	256	5.0	310	71

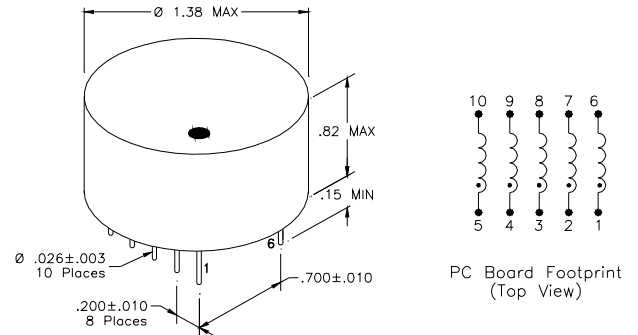
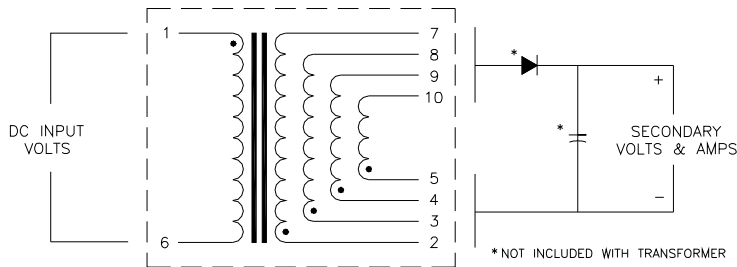
Data is for all secondaries connected in parallel. All voltages and currents are DC.

SCHEMATIC DIAGRAMS

EE17GT



EE20GT



NOTES

- EEGT Flyback Transformers are for discontinuous mode with a maximum duty ratio of 0.45.
- UL3101-1 compliant with dielectric withstanding voltage of 820 RMS, 60 Hz and also meet clearance and creepage requirements.
- Maximum operating temperature is 130°C.
- All mechanical dimensions are in inches.
- Pins are hot solder dipped.

	INIT.	DATE	CAGE 09349	MAGNETIC CIRCUIT ELEMENTS INC. www.MCEmagnetics.com, ph. 831-757-8752, fax 831-757-5478				
PROD.	<i>FAP</i>	12-30-09						
ENG.	<i>JC</i>	12-30-09	OFF-LINE FLYBACK TRANSFORMERS					
Q.A.	<i>BT</i>	12-30-09						
REV.			TEST CONDITION 20° ± 5° C	DECIMALS (IN.) .XX = ± .03 .XXX = ± .010	VOLTS	FREQUENCY ±5%	SIZE A	DWG. NO. EEGT