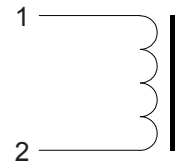


ELECTRICAL SPECIFICATIONS

MCE P/N	L ±10% (μH)	DCR ±15% (Ω)
OT12QL28	2.5	.14
OT12QL36	3.5	.18

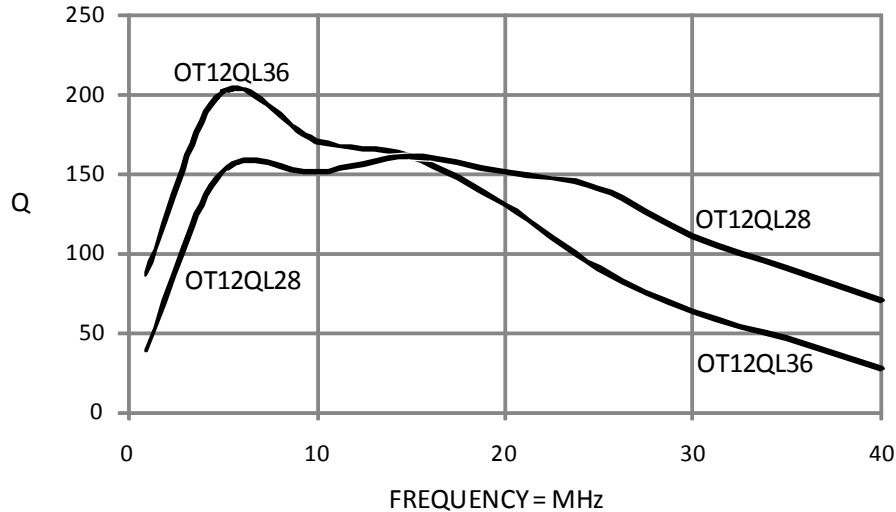


Schematic Diagram

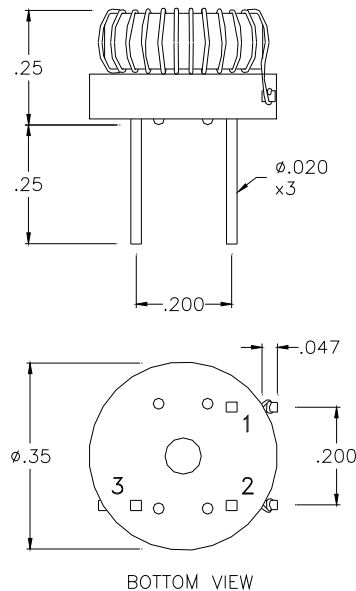
All electrical measurements made on HP4191A Impedance Analyzer.

80°C maximum part temperature recommended for long term stability.

TYPICAL Q vs. FREQUENCY CURVES



MECHANICAL SPECIFICATIONS



	INIT.	DATE	CAGE 09349	MAGNETIC CIRCUIT ELEMENTS INC. www.MCEmagnetics.com, ph. 831-757-8752, fax 831-757-5478				
PROD.	MAP	11-3-09						
ENG.	JC	11-3-09	IRON POWDER RF INDUCTORS					
Q.A.	BT	11-3-09	TEST CONDITION 20° ± 5° C	DECIMALS (IN.) .XX = ± .03 .XXX = ± .010	VOLTS ±5%	FREQUENCY ±5%	SIZE A	DWG. NO. OTQL
REV.								