

ELECTRICAL SPECIFICATIONS

T/R & Ø	Winding	Turns Ratio ±2%	DCR Ω ±15%
DCR	(3-2) ref.	1.00	.037
	(1-4)	1.36	Ø .30
	(6-7)	5.00	Ø 1.1

L (3-2) - 11.3 - 12.9 µH at 50 mVRMS, 30 kHz.

Short Circuit L (3-2) - .340 µH TYP at 10 mVRMS, 300 kHz with 1,4,6,& 7 shorted.

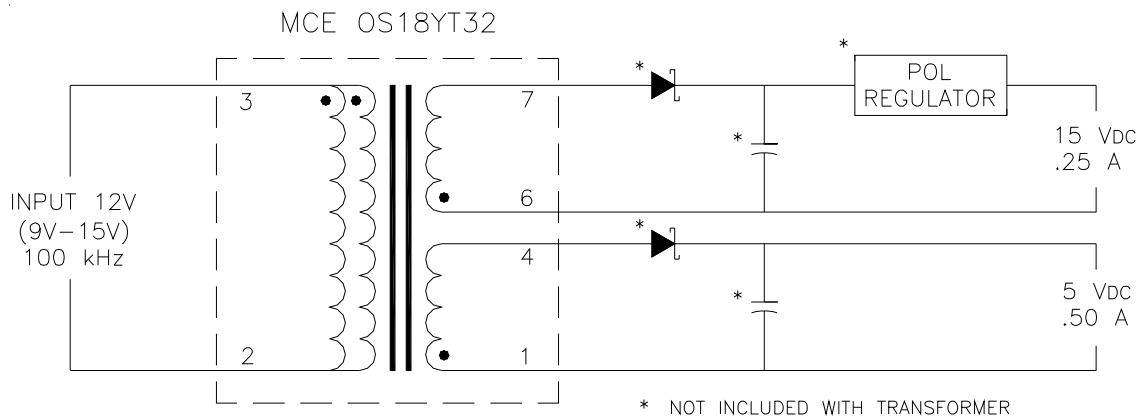
C - 50 pF TYP at 5 VRMS, 100 kHz from 2&3-to-1,4,6,& 7.

Duty Ratio - .45 MAX (Discontinuous Mode).

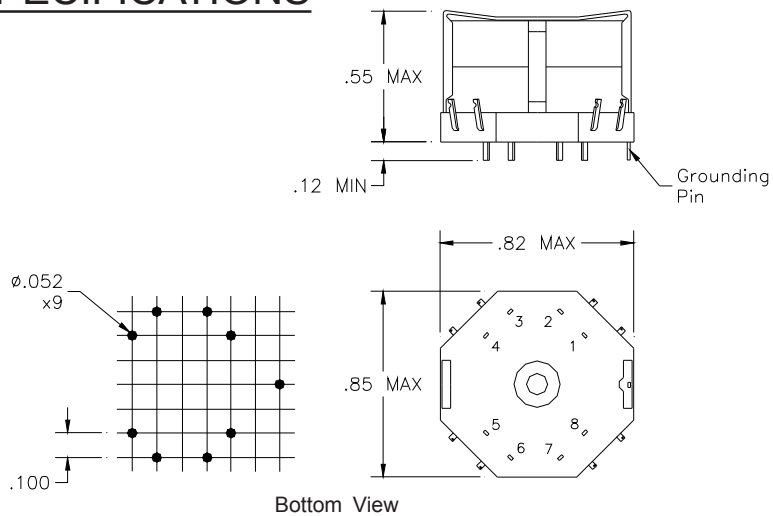
f - 100 kHz.

Dielectric Strength - 500 VDC, 5 µA MAX leakage from 3-to-1&6.

SCHEMATIC DIAGRAM



MECHANICAL SPECIFICATIONS



INIT.	DATE	CAGE	MAGNETIC CIRCUIT ELEMENTS INC.					DWG. NO.
PROD. <i>FAP</i>	11-16-09	09349	www.MCEmagnetics.com, ph. 831-757-8752, fax 831-757-5478					OS18YT32
ENG. <i>JC</i>	11-16-09		FLYBACK TRANSFORMER 12V TO 5V & 15V, 6.25 W					
Q.A. <i>BT</i>	11-16-09	TEST CONDITION	DECIMALS (IN.)	VOLTS	FREQUENCY	SIZE	A	
REV.		20° ± 5° C	.XX = ± .03 .XXX = ± .010	±5%	±5%			