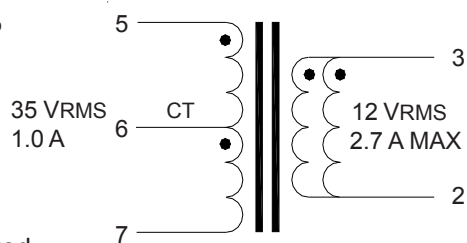


ELECTRICAL SPECIFICATIONS

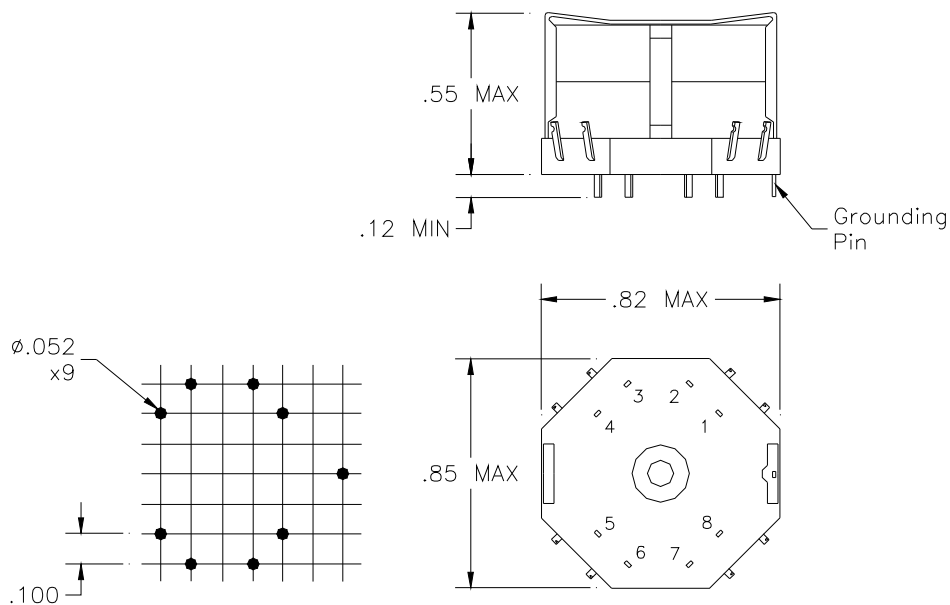
T/R & Ø	Winding	Turns Ratio ±3%	DCR Ω ±15%
DCR	(5-7) ref.	1.000	.500
	(5-6)	.500	Ø .250
	(3-2)	.183	Ø .044



Schematic Diagram

- L (5-6) or (6-7) - 2.5 mH at 100 mVRMS, 1 kHz.
- Leakage L (5-6) or (6-7) - 2 µH TYP at 100 mVRMS, 1 MHz with 3&2 shorted.
- C (5-6) or (6-7)-to-(3-2) - 50 pF TYP at 5 VRMS, 100 kHz.
- Dielectric Strength - 500 VDC, 5 µA MAX leakage from 5-to-3.

MECHANICAL SPECIFICATIONS



Bottom View

	INIT.	DATE	CAGE 09349	MAGNETIC CIRCUIT ELEMENTS INC. www.MCEmagnetics.com, ph. 831-757-8752, fax 831-757-5478				
PROD.	<i>MAP</i>	11-16-09						
ENG.	<i>JC</i>	11-16-09	PUSH-PULL TRANSFORMER, 20 - 200 kHz					
Q.A.	<i>BT</i>	11-16-09						
REV.			TEST CONDITION 20° ± 5° C	DECIMALS (IN.) .XX = ± .03 .XXX = ± .010	VOLTS ±5%	FREQUENCY ±5%	SIZE A	DWG. NO. OS18BT28