

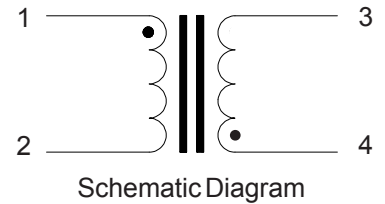
ELECTRICAL SPECIFICATIONS

L (1-2) or (4-3) - 130 $\mu\text{H} \pm 10\%$ at .1 VRMS, 10 kHz.

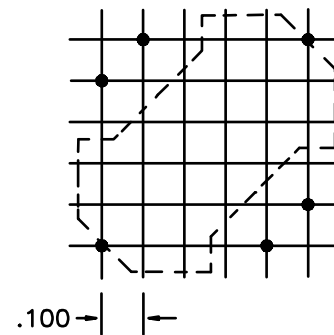
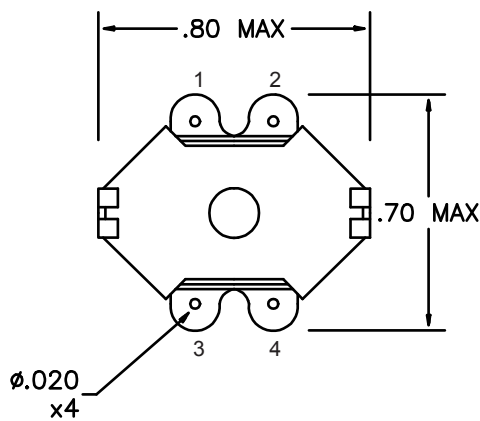
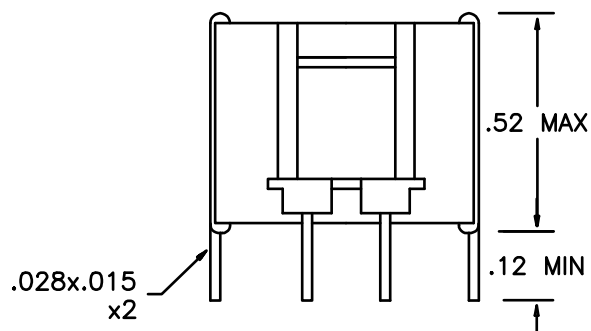
L (1-3) - 500 $\mu\text{H} \pm 10\%$ at .1 VRMS, 10 kHz
with 2 & 4 jumper.

L_{DC} (1-3) - 7% roll off TYP at 1 A DC.

Self Resonant Frequency - Greater than 2 MHz.



MECHANICAL SPECIFICATIONS



Bottom View

	INIT.	DATE	CAGE 09349	MAGNETIC CIRCUIT ELEMENTS INC. www.MCEmagnetics.com, ph. 831-757-8752, fax 831-757-5478				
PROD.	<i>JAP</i>	11-16-09						
ENG.	<i>JC</i>	11-16-09	4 TERMINAL DC FILTER CHOKE					
Q.A.	<i>BT</i>	11-16-09	TEST CONDITION 20° ± 5° C	DECIMALS (IN.) .XX = ± .03 .XXX = ± .010	VOLTS ±5%	FREQUENCY ±5%	SIZE A	DWG. NO. OR06GL26
REV.								