

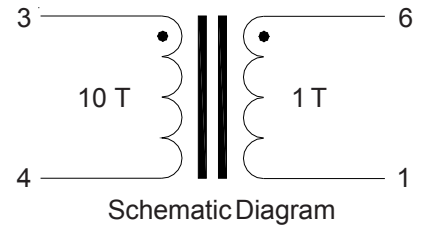
ELECTRICAL SPECIFICATIONS

T/R & Ø	- Winding	Turns Ratio ±2%	DCR Ω ±15%
DCR	(3-4) ref.	1.000	.059
	(6-1)	.100	Ø .0093

L (3-4) - 200 µH MIN (300 µH TYP) at 100 mVRMS, 10 kHz.

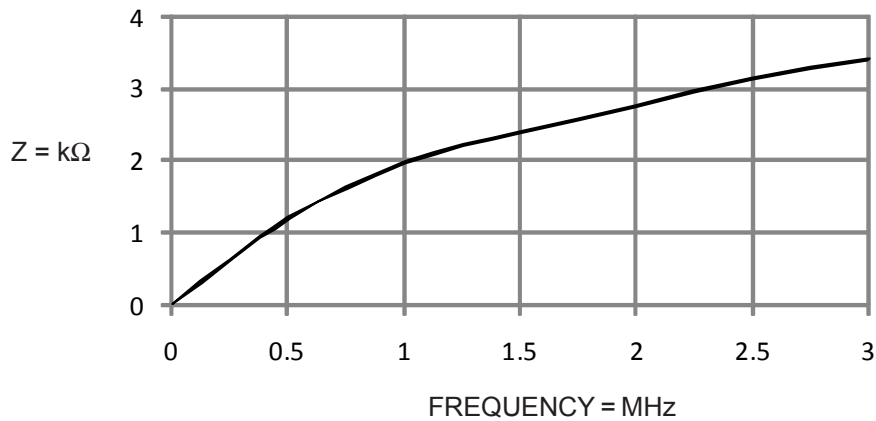
L (6-1) - 2 µH MIN (3 µH TYP) at 30 mVRMS, 100 kHz.

C (3-4) to (6-1) - 3.5 pF MAX (2.5 pF TYP) at 5 VRMS, 100 kHz.

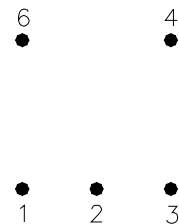
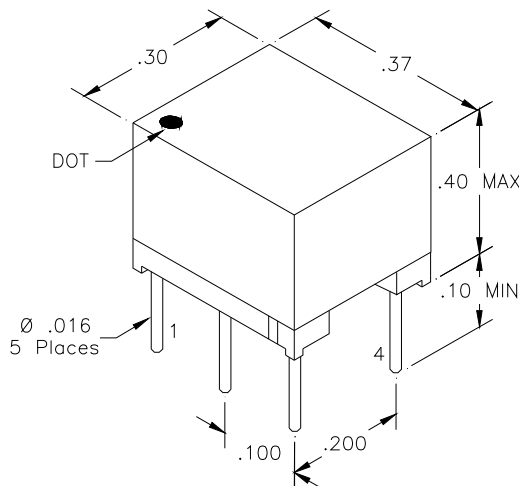


Note: This part can be used as a current transformer with the 1 turn winding as the primary.

IMPEDANCE (kΩ) vs. FREQUENCY (MHz) at 200 mVRMS



MECHANICAL SPECIFICATIONS



PC Board Footprint (Top View)

	INIT.	DATE	CAGE 09349	MAGNETIC CIRCUIT ELEMENTS INC. www.MCEmagnetics.com, ph. 831-757-8752, fax 831-757-5478				
PROD.	<i>JAP</i>	11-3-09						
ENG.	<i>JC</i>	11-3-09	RF TRANSFORMER					
Q.A.	<i>BT</i>	11-3-09	TEST CONDITION 20° ± 5° C	DECIMALS (IN.) .XX = ± .03 .XXX = ± .010	VOLTS ±5%	FREQUENCY ±5%	SIZE A	DWG. NO. OE07BT10
REV.								