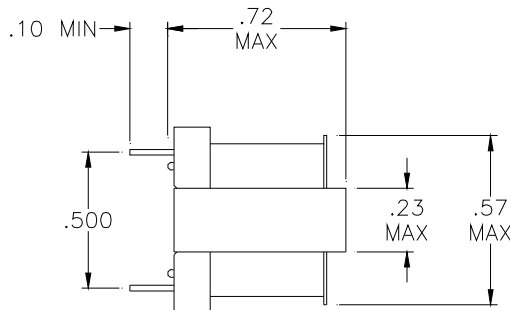
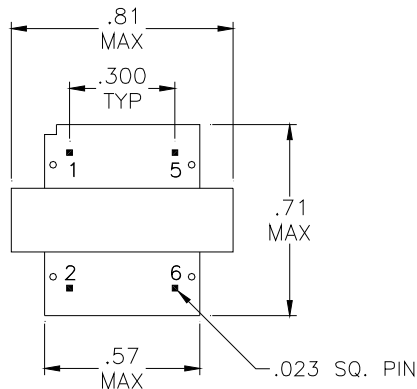


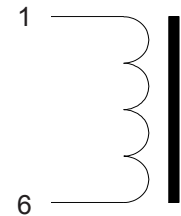
ELECTRICAL SPECIFICATIONS

PART NUMBER	$L_o \pm 25\%$ MILLI-H	DCR $\pm 20\%$ OHMS	MAX AMPS	TEST FREQUENCY - Hz
OC18CL24	.95	.20	2.0	2000
OC18CL25	1.5	.32	1.6	2000
OC18CL26	2.4	.50	1.3	2000
OC18CL27	3.8	.80	1.0	1000
OC18CL28	6.0	1.3	.80	1000
OC18CL29	9.5	2.0	.63	1000
OC18CL30	15	3.2	.50	500
OC18CL31	24	5.0	.40	500
OC18CL32	38	8.0	.32	500
OC18CL33	60	13	.25	250
OC18CL34	95	20	.20	250
OC18CL35	150	32	.16	250
OC18CL36	240	50	.13	120
OC18CL37	380	80	.10	120
OC18CL38	600	130	.080	120
OC18CL39	950	200	.063	60
OC18CL40	1500	320	.050	60
OC18CL41	2400	500	.040	60
OC18CL42	3800	800	.032	30
OC18CL43	6000	1300	.025	30
OC18CL44	9500	2000	.020	30

MECHANICAL SPECIFICATIONS



SCHEMATIC



NOTES

1. Initial inductance (L_o) is measured at 4 Vrms and TEST FREQUENCIES shown.
2. MAX AMPS rating is combined DC and AC RMS for a 50°C rise from an ambient of 20°C with no heatsink.
3. Inductance at MAX AMPS (DC) is approximately 80% of L_o .
4. Maximum operating temperature is 130°C.
5. Weight is approximately 13 grams.
6. Packaging: Clear acrylic resin impregnated.
7. Pins are hot solder dipped.
8. LEAD-FREE versions available as modified standard parts.

INIT.	DATE	CAGE	MAGNETIC CIRCUIT ELEMENTS INC.				DWG. NO.
PROD. <i>JAP</i>	3-11-10	09349	www.MCEmagnetics.com, ph. 831-757-8752, fax 831-757-5478				OC18CL
ENG. <i>JC</i>	3-11-10		AUDIO CHOKES - LAMINATIONS				
Q.A. <i>BT</i>	3-11-10	TEST CONDITION	DECIMALS (IN.)	VOLTS	FREQUENCY	SIZE	OC18CL
REV. <i>C</i>	3-11-10	20° ± 5° C	.XX = ± .03 .XXX = ± .010	±5%	±5%	A	