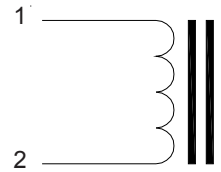


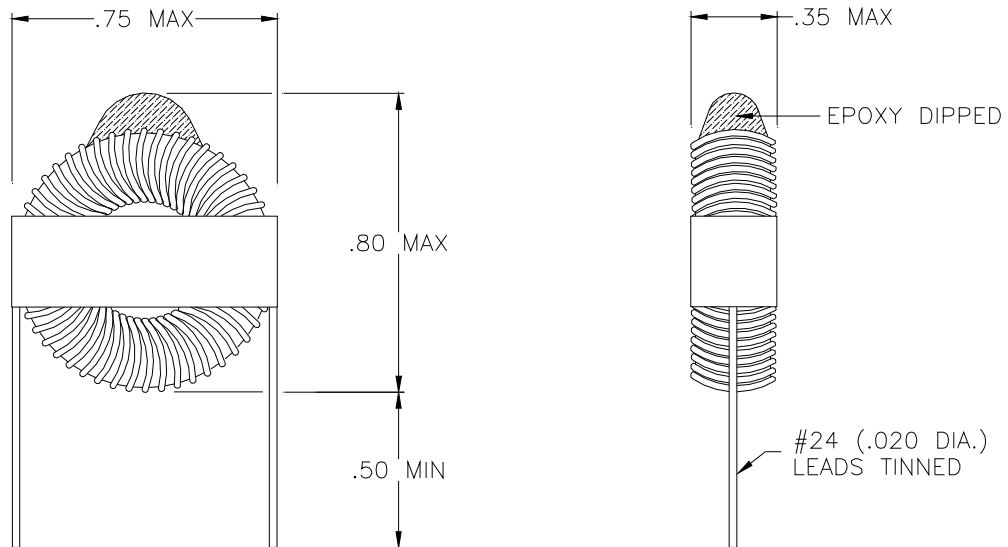
ELECTRICAL SPECIFICATIONS

- DCR - $.06 \Omega \pm 10\%$
- L(1-2) - $90 \mu\text{H} \pm 10\%$ at 50 mVRMS, 30 kHz.
- L_{DC} (1-2) - 45 μH MIN with 3A DC at 50 mVRMS, 30 kHz.



Schematic Diagram

MECHANICAL SPECIFICATIONS



	INIT.	DATE	CAGE 09349	MAGNETIC CIRCUIT ELEMENTS INC. www.MCEmagnetics.com, ph. 831-757-8752, fax 831-757-5478				
PROD.	<i>MP</i>	11-16-09						
ENG.	JC	11-16-09	TOROIDAL CHOKE 45μH MIN at 3A DC					
Q.A.	<i>B.T.</i>	11-16-09						
REV.	A	11-16-09	TEST CONDITION 20° \pm 5C	DECIMALS (IN.) .XX = \pm .03 .XXX = \pm .010	VOLTS \pm 5%	FREQUENCY \pm 5%	SIZE A	DWG. NO. MCE O-1472L2